

- (1)  $N1 = N2 = N3$
- (2)  $N1 = N2 < N3$
- (3)  $N1 = N2 > N3$

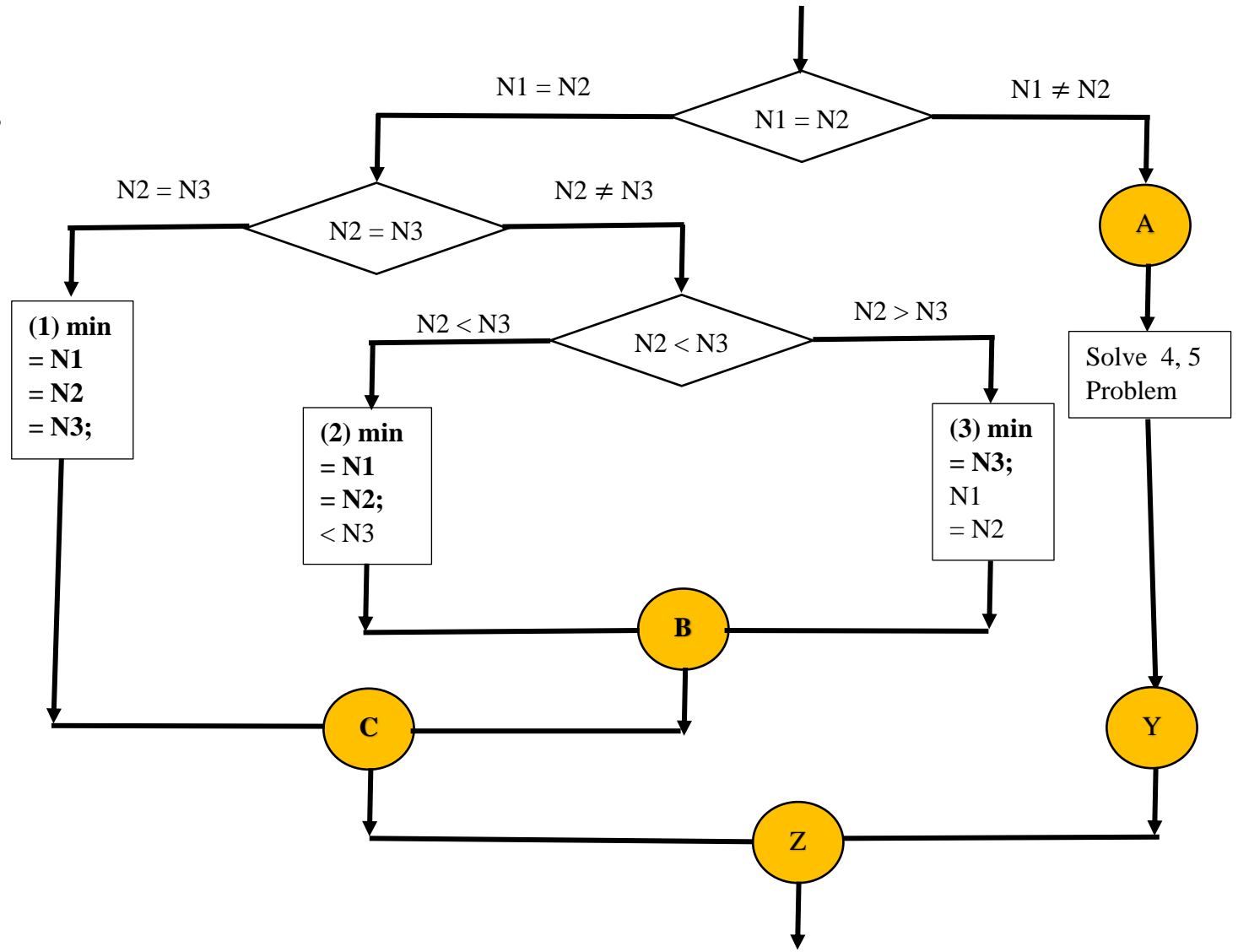
- (4)  $N1 < N2 = N3$
- (5)  $N1 > N2 = N3 ?$

- (6)  $N2 > N3 = N1$
- (7)  $N2 < N3 = N1$

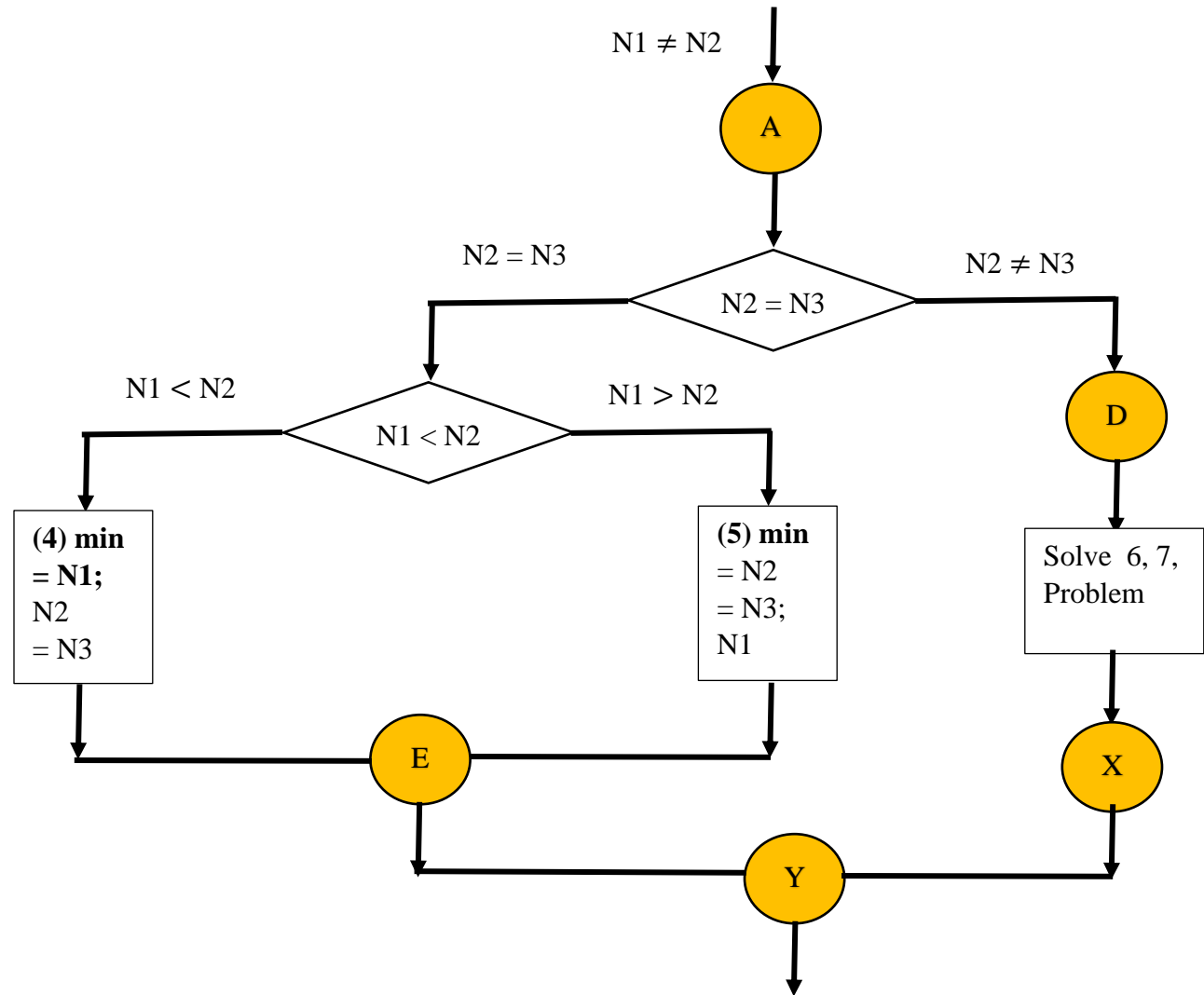
- (8)  $N1 < N2 < N3$
- (9)  $N1 < N3 < N2$

- (10)  $N3 < N1 < N2$
- (11)  $N3 < N2 < N1$

- (12)  $N2 < N3 < N1$
- (13)  $N2 < N1 < N3$



- (1)  $N1 = N2 = N3$
- (2)  $N1 = N2 < N3$
- (3)  $N1 = N2 > N3$
  
- (4)  $N1 < N2 = N3$
- (5)  $N1 > N2 = N3$
  
- (6)  $N2 > N3 = N1$
- (7)  $N2 < N3 = N1$
  
- (8)  $N1 < N2 < N3$
- (9)  $N1 < N3 < N2$
  
- (10)  $N3 < N1 < N2$
- (11)  $N3 < N2 < N1$
  
- (12)  $N2 < N3 < N1$
- (13)  $N2 < N1 < N3$



- (1)  $N1 = N2 = N3$
- (2)  $N1 = N2 < N3$
- (3)  $N1 = N2 > N3$

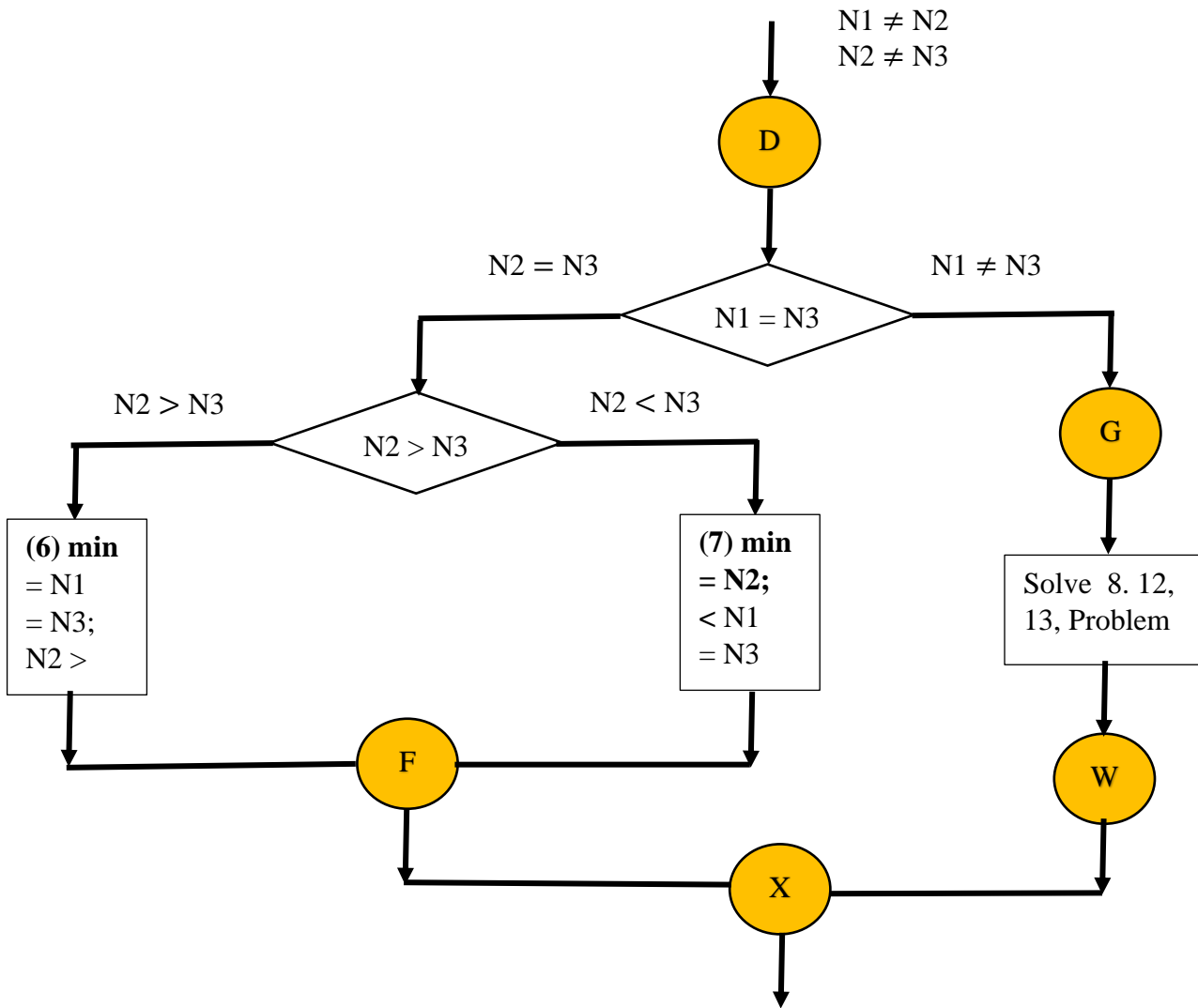
- (4)  $N1 < N2 = N3$
- (5)  $N1 > N2 = N3$

- (6)  $N2 > N3 = N1$
- (7)  $N2 < N3 = N1$

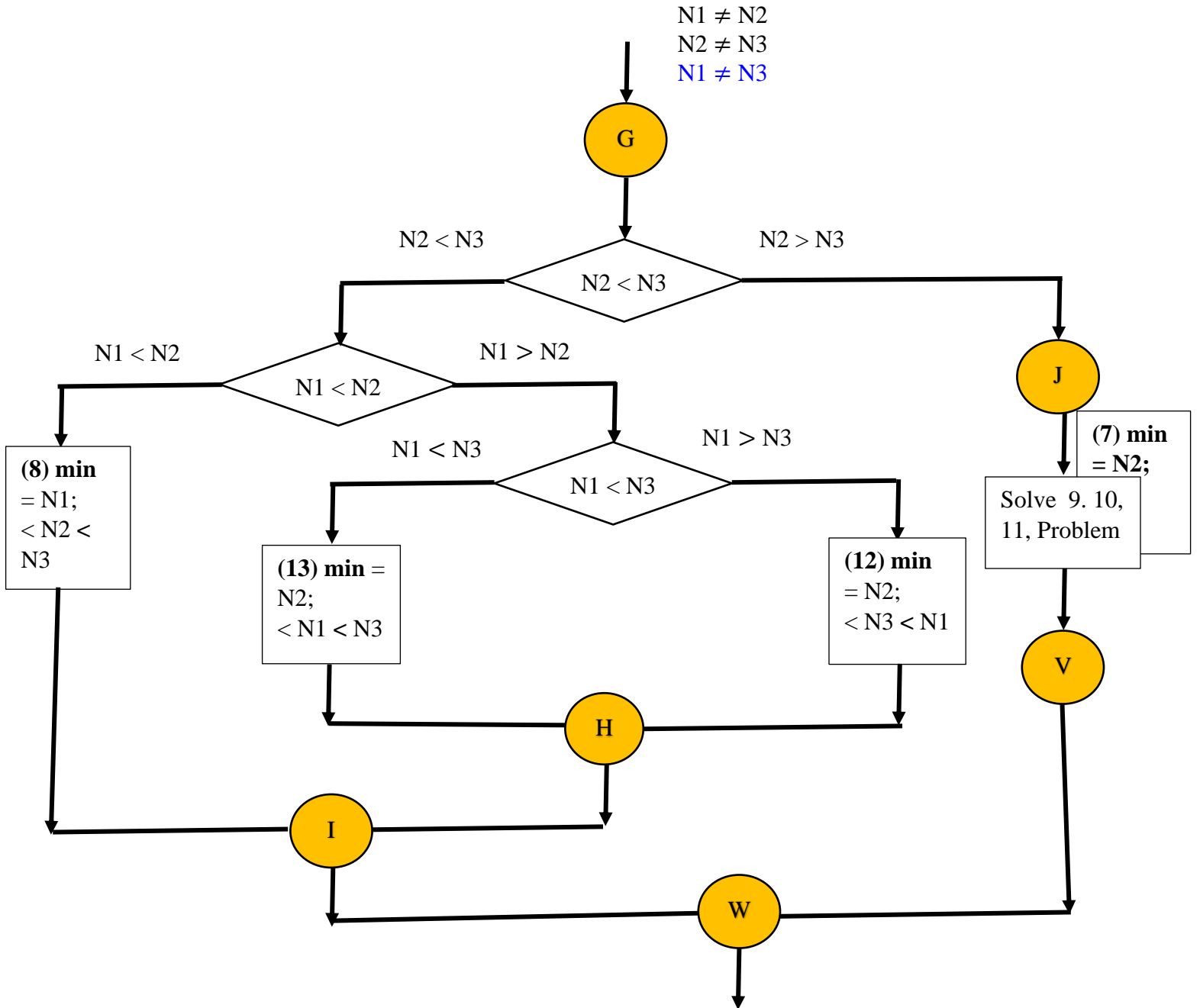
- (8)  $N1 < N2 < N3$
- (9)  $N1 < N3 < N2$

- (10)  $N3 < N1 < N2$
- (11)  $N3 < N2 < N1$

- (12)  $N2 < N3 < N1$
- (13)  $N2 < N1 < N3$



- (1)  $N1 = N2 = N3$
- (2)  $N1 = N2 < N3$
- (3)  $N1 = N2 > N3$
  
- (4)  $N1 < N2 = N3$
- (5)  $N1 > N2 = N3$
  
- (6)  $N2 > N3 = N1$
- (7)  $N2 < N3 = N1$
  
- (8)  $N1 < N2 < N3$
- (9)  $N1 < N3 < N2$
  
- (10)  $N3 < N1 < N2$
- (11)  $N3 < N2 < N1$
  
- (12)  $N2 < N3 < N1$
- (13)  $N2 < N1 < N3$



- (1)  $N1 = N2 = N3$
- (2)  $N1 = N2 < N3$
- (3)  $N1 = N2 > N3$
  
- (4)  $N1 < N2 = N3$
- (5)  $N1 > N2 = N3$
- 1
- (6)  $N2 > N3 = N1$
- (7)  $N2 < N3 = N1$
  
- (8)  $N1 < N2 < N3$
- (9)  $N1 < N3 < N2$
  
- (10)  $N3 < N1 < N2$
- (11)  $N3 < N2 < N1$
  
- (12)  $N2 < N3 < N1$
- (13)  $N2 < N1 < N3$

