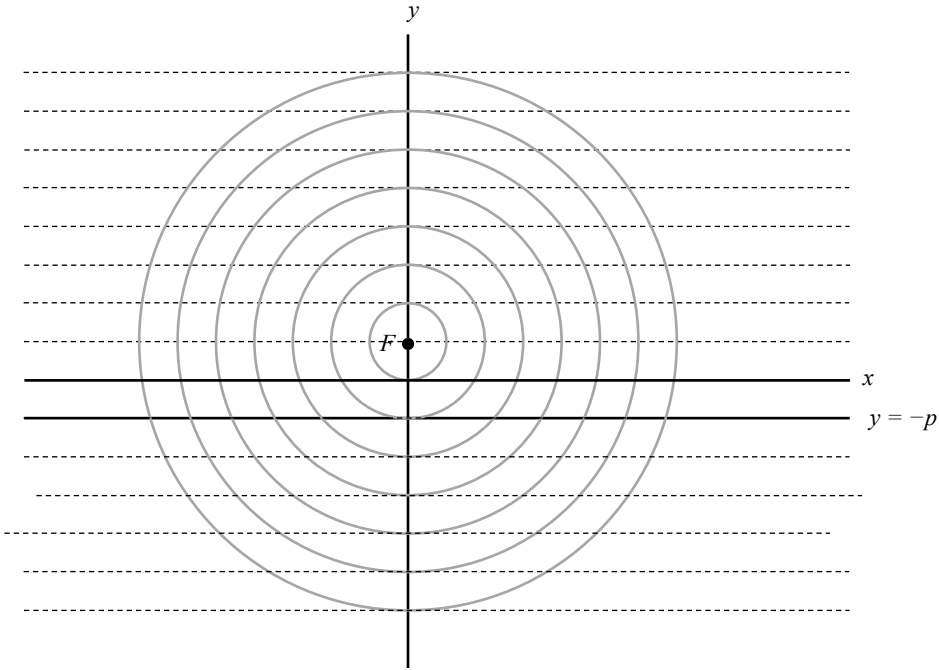


Plot the points which are equidistant from the fixed point $F(0, p)$, called the focus, and the fixed line $y = -p$, called the directrix.



Plot the points which are equidistant from the fixed point $F(p, 0)$, called the focus, and the fixed line $x = -p$, called the directrix.

